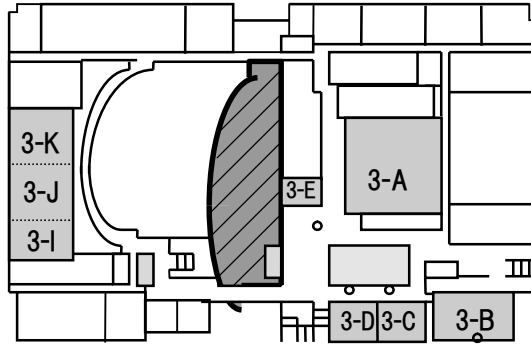


Kyoto TERRSA Floor Map

3F (East Building)

- 3-I.J.K.
Conference Room (Large)
- 3-I.
Conference Room A
- 3-J.
Conference Room B
- 3-K.
Conference Room C

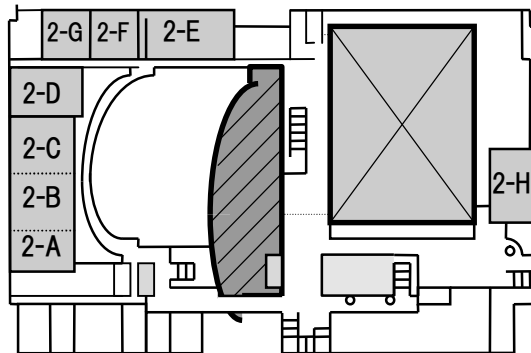


3F (West Building)

- 3-A. Conference Room No.1
- 3-B. Conference Room No.2
- 3-C. Conference Room No.3
- 3-D. Conference Room No.4
- 3-E. Conference Room No.5

2F (East Building)

- 2-A.B.C.Seminar Room
- 2-A.Seminar room No.1
- 2-B.Seminar room No.2
- 2-C.Seminar room No.3
- 2-D. Conference Room (Middle)
- 2-E.A V Study Room
- 2-F. Study Room
- 2-G.Cookery Room

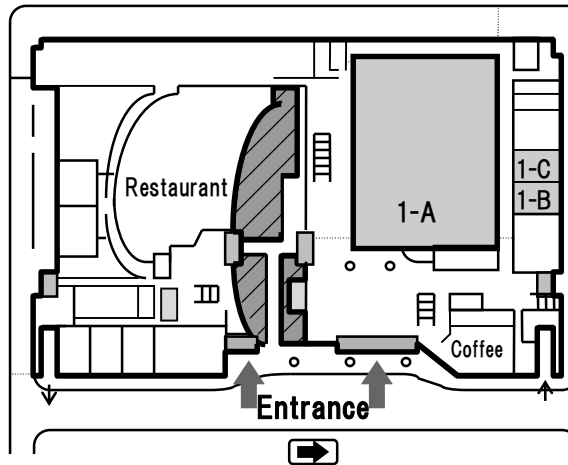


2F (West Building)

- 2-H.Rehearsal Room

1F (East Building)

- Restaurant
- ”SUZAKU”



1F (West Building)

- 1-A.TERRSA Hall
- 1-B.Waiting Room No.1
- 1-C.Waiting Room No.2
(Japanese Type)
- Coffee Shop
”heart garden”

